



Emanuele Cammareri
Via Aurelio Saffi 23
20123 Milano
ITALY

September 13, 2024

Our ref.: 970229967
WIPO or Office Reference: WIPO142834
Your ref.: SMUPI PILLOW

International Registration No. DM/240058

Madam,
Sir,

In accordance with Rule 15(1) of the Common Regulations under the Hague Agreement, please find herewith the certificate for the above-mentioned international registration. This certificate is issued only in the language in which the international application was filed.

The international registration will be published in the International Designs Bulletin issued 12 months after the international registration date of 26 March 2024 or immediately after.

**International Bureau of the
World Intellectual
Property Organization**



INTERNATIONAL REGISTRATION CERTIFICATE

The international Bureau of the World Intellectual Property Organization (WIPO) hereby certifies that the particulars given below correspond to the recording made in the International Register of Industrial Designs, at the date of the international registration, under the Hague Agreement Concerning the International Registration of Industrial Designs.

Registration number DM/240058

Date of the international registration 26 March 2024

Filing date 26 March 2024

Name and address of holder Jacopo Giovanni Tolja
Via Fratelli Zoia 61
20153 Milano (Italy)

Entitlement (Nationality) European Union

Applicant's Contracting Party European Union

Name and address of the representative Emanuele Cammareri
Via Aurelio Saffi 23
20123 Milano (Italy)

Name and address of creator of designs Jacopo Giovanni Tolja, Via Fratelli Zoia 61, 20153, Milano, Italy

Number of designs included in the international registration 1

Locarno Classification Cl. 06-09

Indication of products Modular furniture cushioning set

Description Reproduction 1.1 represents the modular cushion padding with its cover, which can be separated into two removable parts, whose dimensions can vary if additional base units are added; reproduction 1.2 shows cavities for the magnets and through-holes for softening, ventilating and adjusting the cushion's softness; reproduction 1.3 shows the cubes of the base unit of the modular padding, the mirror-image covers, the structural rods of the length to create the semi-rigid internal structure, and the rubber thimbles to hold the magnets in place and cushion the



INTERNATIONAL REGISTRATION CERTIFICATE (continued) **DM/240058**

contact between multiple cushions; reproduction 1.4 depicts the side view of reproduction 1.3.

Claim US : The ornamental design for a Modular furniture cushioning set as shown and described

VN : Application for overall protection for industrial design(s) as shown and described.

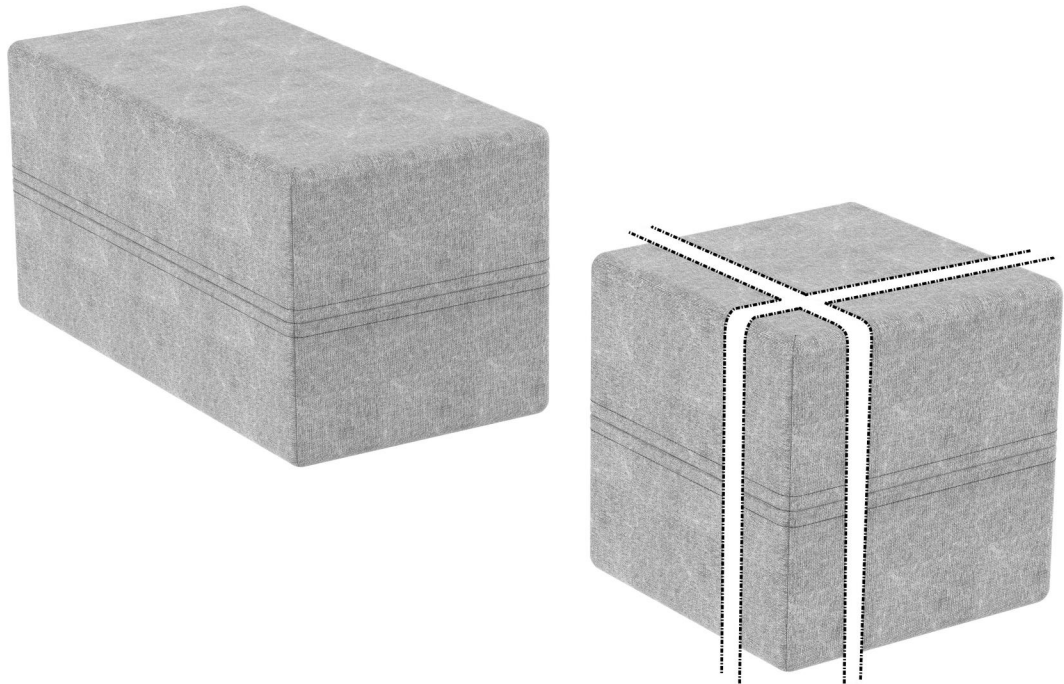
Contracting Parties designated under the 1999 Act African Intellectual Property Organization (OAPI), Brazil, Canada, China, Japan, Republic of Korea, Russian Federation, United States of America, Viet Nam

Data relating to priority under the Paris Convention 5 October 2023, 015030485-0001, European Union, DAS:E9AC



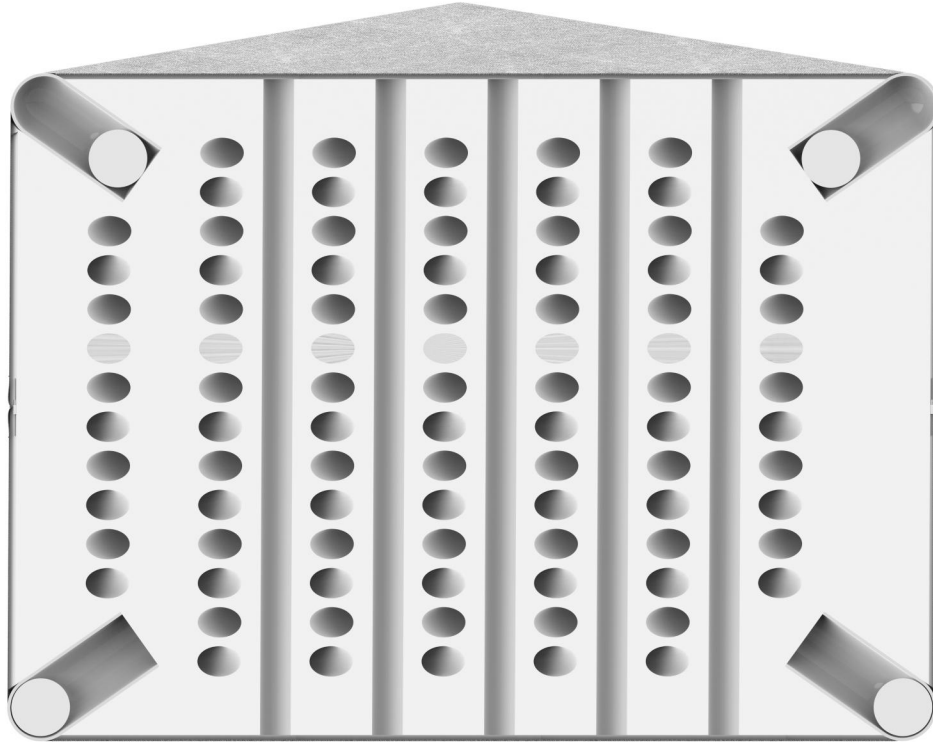
INTERNATIONAL REGISTRATION CERTIFICATE (continued) **DM/240058**

1.1
Perspective





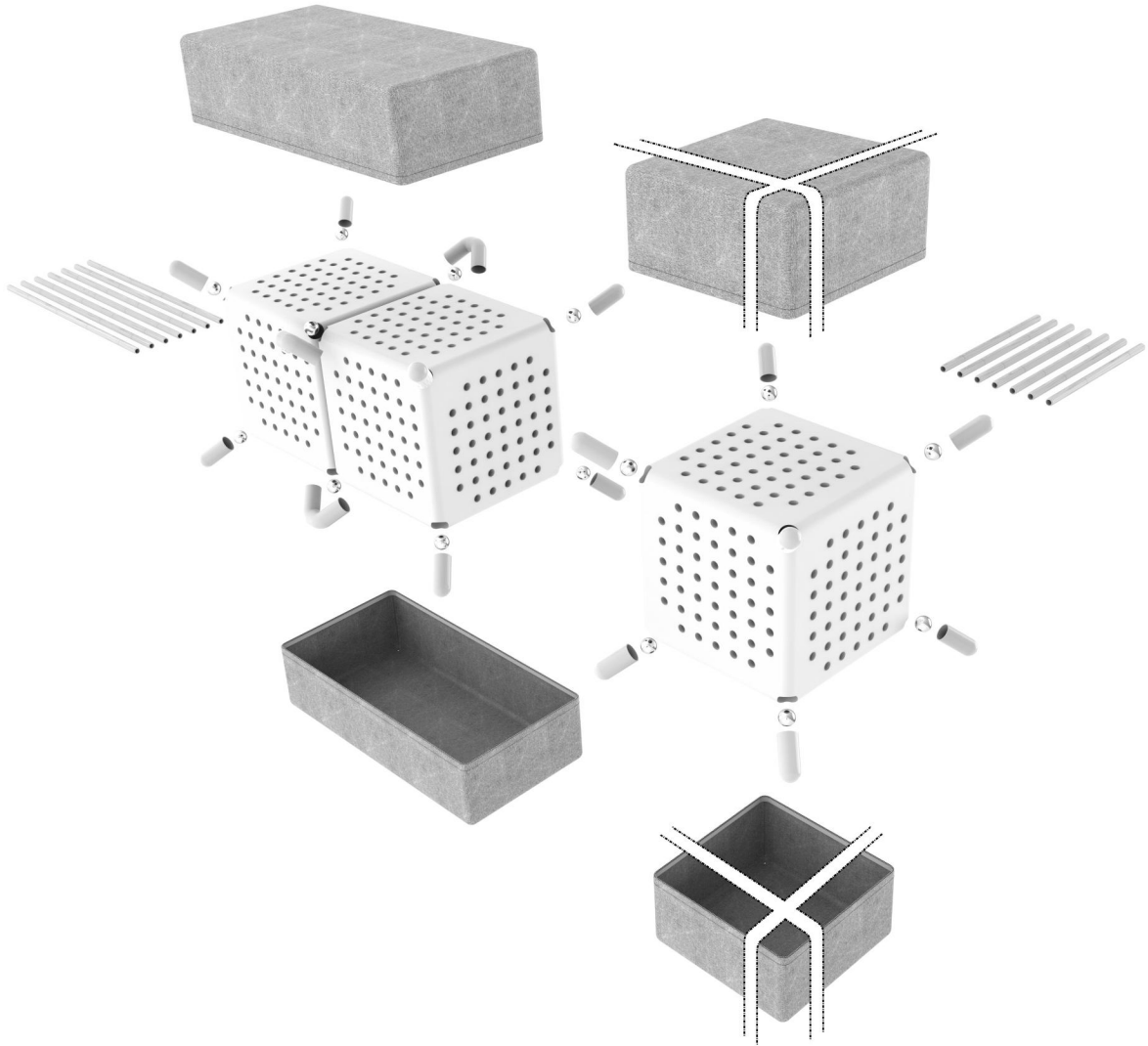
1.2
Cross-sectional





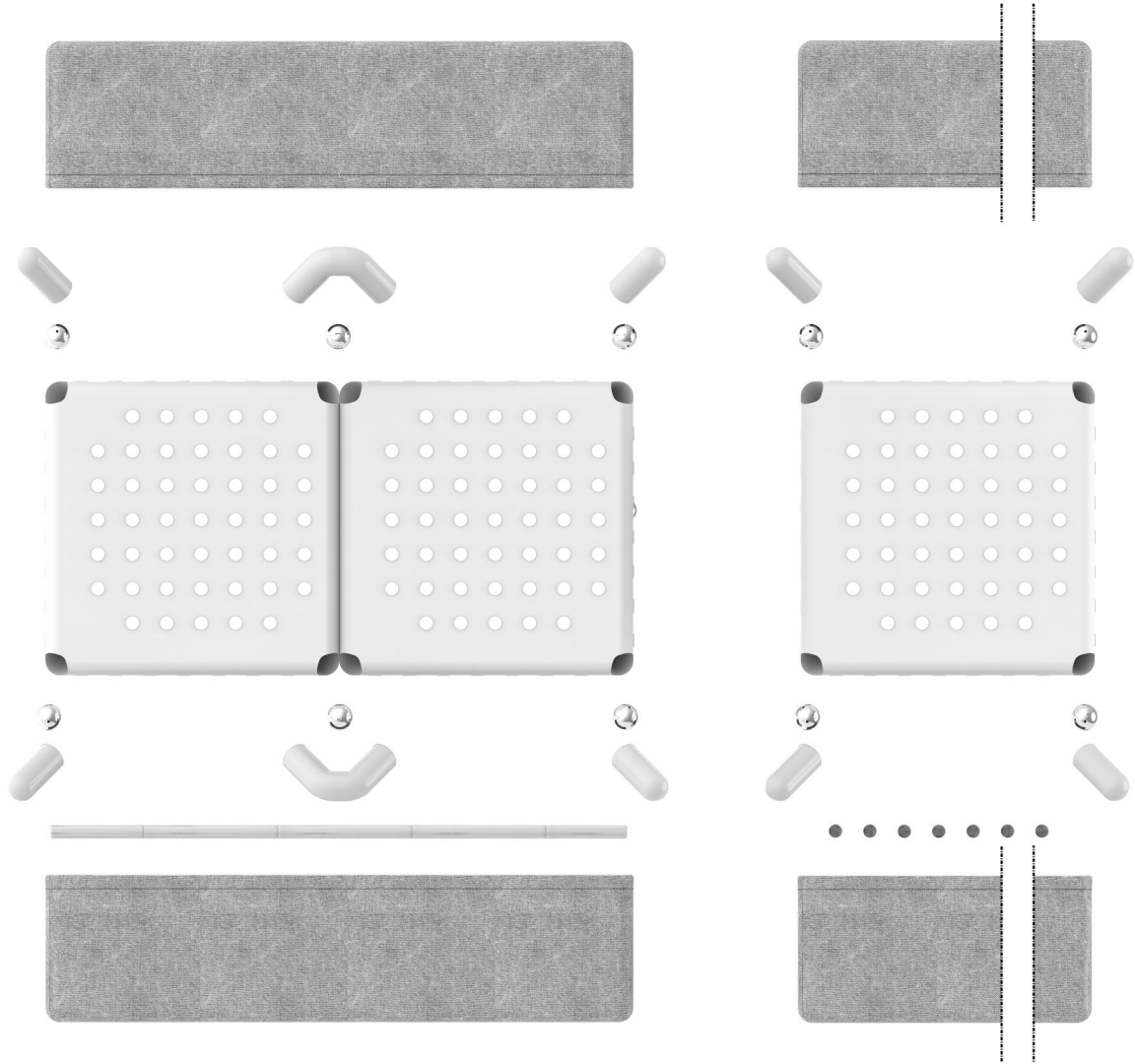
1.3

Perspective exploded view of modular pillows





1.4
Right view of modular pillows



Quan-Ling SIM

Quan-Ling SIM
Head, Operations Service
The Hague Registry
Brands and Designs Sector

September 13, 2024